

MKP UHD™ – The best of ELECTRONICON's design expertise and highest care in manufacturing have been spent to prepare these capacitors for your most demanding applications, and toughest ambient conditions.

MKP UHD™ contain three delta-switched capacitor elements of short height and large diameter. The optimized combination of winding length, film size, and winding geometry substantially reduces inherent power losses and allows us to achieve highest ratings of surge and rms currents as well as an overvoltage strength which before would have been known only of impregnated paper capacitors. By using selected low-loss, self-healing polypropylene films and sophisticated manufacturing techniques such as high-vacuum drying and special coating patterns, MKP UHD™ combine long service life with constant capacitance and outstanding switching stability.

For the extremely unlikely event of malfunction, they are provided with BAM™ (overpressure break-action mechanism) for safe mode of failure.

Our original **CAPAGRIP™** terminals L and M guarantee optimum sealing of the capacitors, and provide for convenient connection of cables up to 50 mm². A special spring system guarantees reliable and durable operation of the clamp. They are rated IP20, i.e. protected against accidental finger contact with live parts. They also permit the direct connection of discharge reactors and resistor modules, as well as easy parallel connection of additional capacitors.

STANDALONE OR MODULAR: The Ultimate Capacitor for your Ultra Heavy Duty Application



$U_{\text{permanent}} = 580V_{\text{rms}}$



$-40^{\circ} / +70^{\circ}C$

$I_{\text{max}} = 2.5 I_N$

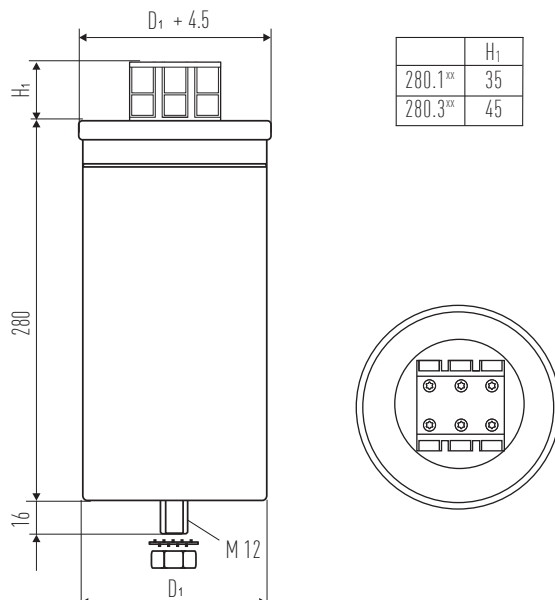
$I_S = 400 I_N$

ELECTRONICON®
always in charge

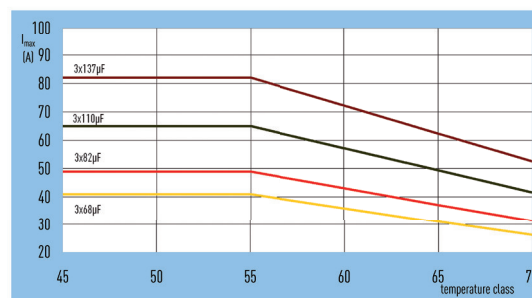
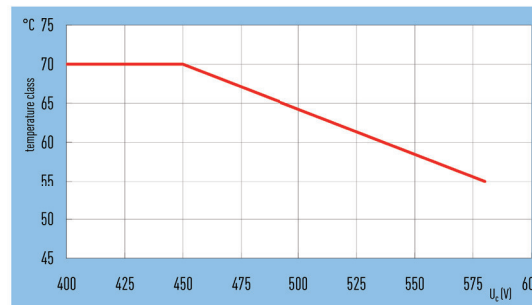
TECHNICAL DATA

type	MKP UHD™ 12.5/440	MKP UHD™ 15/440	MKP UHD™ 20/440	MKP UHD™ 25/440
part no.	280.169-306801 / 221302	280.379-308201 / 221302	280.389-311001 / 221302	280.399-313701 / 221302
rated power Q_C	10kvar 400V 50Hz 12.5kvar 440V 50Hz 21.5kvar 580V 50Hz	12.5kvar 400V 50Hz 15kvar 440V 50Hz 26kvar 580V 50Hz	16.6kvar 400V 50Hz 20kvar 440V 50Hz 34.6kvar 580V 50Hz	20kvar 400V 50Hz 25kvar 440V 50Hz 43kvar 580V 50Hz
capacitance (- 5...+ 5 %)	3 × 68µF		3 × 110µF	3 × 137µF
rated current I_N (rms) @440V	3 × 16.4A		3 × 26.3A	3 × 33A
maximum permissible current	3 × 41A		3 × 65A	3 × 82A
CAPAGRIP™ terminal	L: 25mm ² screw terminal (IP20) I_{max} 3 × 56A		M: 50mm ² screw terminal (IP20) I_{max} 3 × 104A	
weight	2.3kg	2.5kg	2.9kg	3.9kg
max. inrush current (400 x I_N)	6.6kA	8kA	10.5kA	13.1kA
dimensions	95 x 280mm	100 x 280mm	116 x 280mm	136 x 280mm
test voltage btw. terminals	1250VAC / 2s			
test voltage terminals to case	4500VAC / 2s			
safety device	BAM™ (overpressure break action mechanism)			
dielectric material	low-loss polypropylene, dry dielectric			
filling material	castor oil			
mounting position	any, vertical position preferred			
dissipation losses (capacitor)	approx. 0.25W/kvar			
max. relative humidity	95%			
ambient temperature class	- 50°/+ 70°C (max: 70°C, average 24h: 60°C, average 365d: 50°C)			
statistical life expectancy	> 150 000h			
standards	IEC 60831 (2003), VDE 0560-46/47, IS 13340 and IS 13341, CSA C22.2 No. 190-M1985, UL Standard No. 810, GOST 1282-88			
approval marks	 			

DRAWINGS



U_C vs. I_{max} vs. TEMPERATURE



ELECTRONICON®

Germany • 07549 Gera • Keplerstrasse 2 • Fon +49 365 / 734 61 00 • Fax +49 365 / 734 61 10
E-Mail: sales@electronicon.com • www.electronicon.com